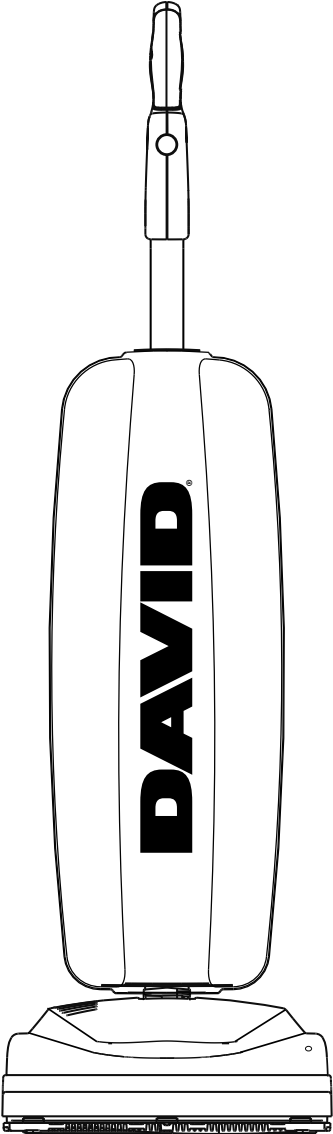


DAVID[®]

COMMERCIAL

ZM-700.DV

Owner's Manual



CONTENTS

Getting Started

Important Safety Instructions	3
Grounding Instructions	4
Description of the Vacuum	5
Assembling the Vacuum	6-7

Operation

Reclining the Handle	8
On/Off Switch	8
Edge Cleaning	8
Automatic Carpet Height Adjustment	8
Bare Floor Cleaning	8

Maintenance and Care

Power Cord Care	9
Vacuuming Under Furniture	9
Replacing the Vacuum Bag	10
Removing/Reinstalling the Bottom Plate	11
Replacing the Agitator Belt	12
Brushroll Jam Indicator	13
Resetting the Circuit Breaker	14
Replacing the Squeegee	14

Key Replacement Parts	15-16
------------------------------------	-------

For Best Performance	16
-----------------------------------	----

Warranty	17-18
-----------------------	-------

IMPORTANT SAFETY INSTRUCTIONS

When using an electrical appliance, basic precautions should always be followed, including the following:

READ ALL INSTRUCTIONS BEFORE USING THIS APPLIANCE.

IMPORTANT: The manufacturer cannot accept responsibility for damage caused when the appliance is not used according to the instructions, or for uses other than those for which it was intended.

WARNING: To reduce the risk of fire, electric shock, damage or injury:

- Do not leave appliance when plugged in. Unplug from outlet when not in use and before servicing.
- **WARNING: ELECTRIC SHOCK COULD OCCUR IF USED OUTDOORS OR ON WET SURFACES.**
- Do not allow to be used as a toy. Close attention is necessary when used by or near children.
- Use only as described in this manual.
- Do not use with damaged cord or plug. If appliance is not working as it should, has been dropped, damaged, left outdoors, or dropped into water, return it to the distributor where purchased for service.
- Do not pull or carry by cord, use cord as a handle, close a door on the cord, or pull cord around sharp edges or corners. Do not run appliance over cord. Keep cord away from heated surfaces.
- Do not unplug by pulling on cord. To unplug, grasp the plug, not the cord.
- Do not handle plug or appliance with wet hands.
- Do not put any object into openings. Do not use with any opening blocked; keep free of dust, lint, hair and anything that may reduce air flow.
- Keep hair, loose clothing, fingers and all parts of body away from openings and moving parts.
- Do not pick up anything that is burning or smoking, such as cigarettes, matches or hot ashes.
- Do not use without vacuum bag in place.
- Turn off all controls before unplugging.
- Use extra care when cleaning on stairs.
- Do not use to pick up flammable or combustible liquids such as gasoline or use in areas where they may be present.
- Do not attempt to service the unit while appliance is plugged in.
- Connect to a properly grounded outlet only. See Grounding Instructions.
- Make sure your extension cord is in good condition and is the correct size for your appliance, i.e. 16 AWG. If in doubt, use the next heavier gage. The smaller the gage number, the heavier the cord. An undersized extension cord will cause a drop in line voltage resulting in loss of power and overheating.
- Use only three-wire outdoor extension cords that have three-prong grounding plugs and grounding receptacles that accept the appliance's plug.
- Warning - To reduce the risk of personal injury due to a loose electrical connection between the appliance's plug and extension cord, firmly and fully attach the appliance plug to the extension cord. Periodically check the connection while operating to ensure it is fully attached. Do not use an extension cord that provides a loose connection. A loose connection may result in overheating, fire, and increases the risk of a burning.
- To reduce the risk of disconnection of the appliance cord from the extension cord during operating, secure the extension cord to the appliance plug as shown or described in the Operating Instructions

SAVE THESE INSTRUCTIONS

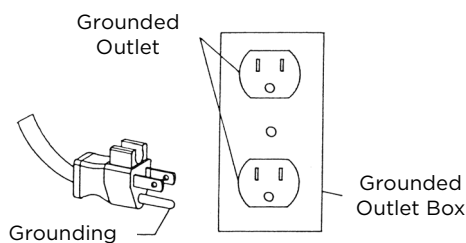
GROUNDING INSTRUCTIONS

This vacuum cleaner must be grounded. If it should malfunction or break down, grounding provides a path of least resistance for electric current to reduce the risk of electric shock. This vacuum cleaner is equipped with a cord having an equipment-grounding conductor and grounding plug. The plug must be plugged into an appropriate outlet that is properly installed and grounded in accordance with all local codes and ordinances.

This vacuum cleaner is for use on a nominal 120-volt circuit and has a ground plug (see illustration). Make sure that the vacuum is connected to an outlet having the same configuration as the plug. No adapter should be used with this vacuum.

WARNING:

Improper connection of the equipment-grounding conductor can result in the risk of electric shock. Check with a qualified electrician or service person if you are in doubt as to whether the outlet is properly grounded. Do not modify the plug provided with the vacuum - if it will not fit the outlet, have a proper outlet installed by a qualified electrician.

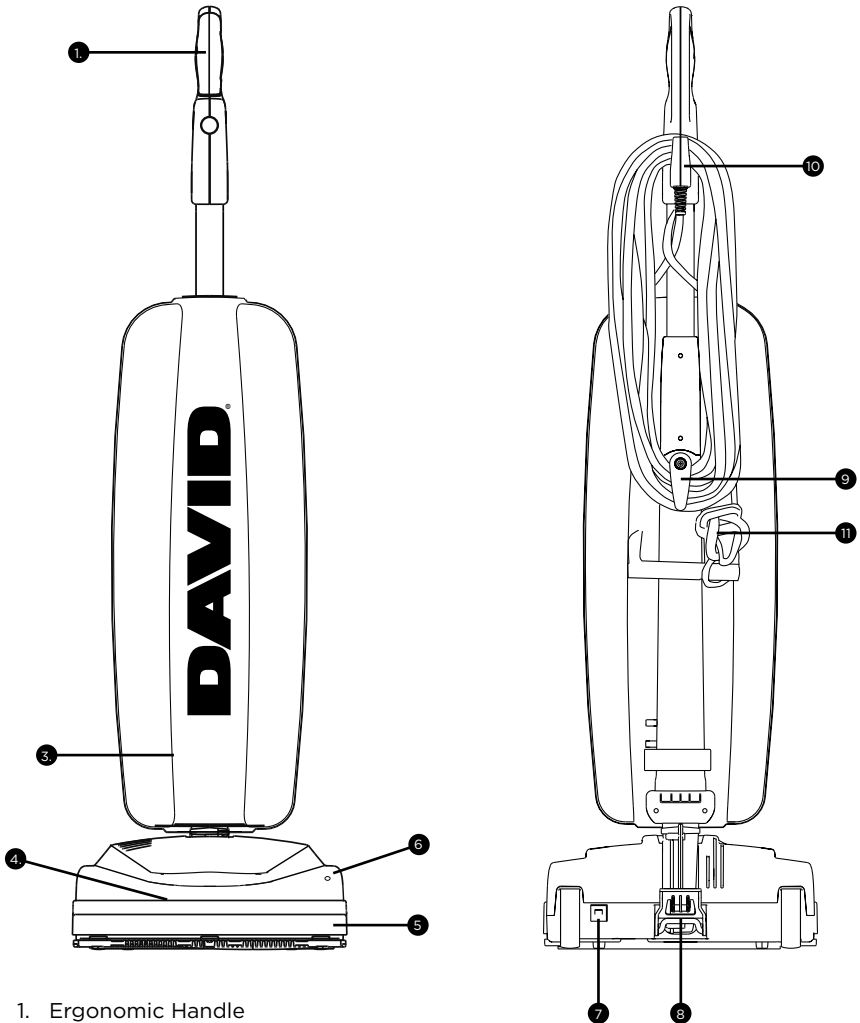


State of California Proposition 65 Warnings:

WARNING: This product contains one or more chemicals known to the State of California to cause cancer.

WARNING: This product contains one or more chemicals known to the State of California to cause birth defects or other reproductive harm.

DESCRIPTION OF THE VACUUM



1. Ergonomic Handle
2. On/Off Power Switch, Two Speed
3. Bag Compartment
4. Vacuum Nozzle
5. Furniture Guard
6. Brushroll Jam Indicator
7. Circuit Breaker Reset Button
8. Handle Release Pedal
9. Quick Release Cord Hook
10. Upper Cord Hook
11. Cord Restraint

ASSEMBLING THE VACUUM

Attaching the Handle to the Vacuum

NOTE: Do not plug in the vacuum until it is completely assembled.

The vacuum cleaner and the handle are packed separately and require assembly.

- Thread the cord through the lower and upper cord guides on the back of the vacuum bag (Fig. 1).
- Remove the handle bracket by removing the two screws (Fig. 2).
- Place handle onto the back of the vacuum, aligning holes with pegs (Fig. 3).
- Place the handle bracket back into position (Fig. 4).
- Secure with two screws removed in Step 2.
- Open the bag compartment to ensure a vacuum bag is in place.
- Your vacuum is now ready for use.
- If storing the vacuum, wrap the cord clockwise around the top and bottom cord hooks. Fasten the plug to the wrapped cord using the channel on the plug.

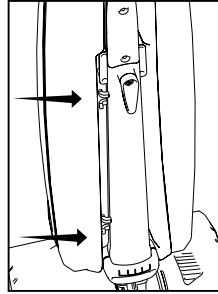


Fig. 1

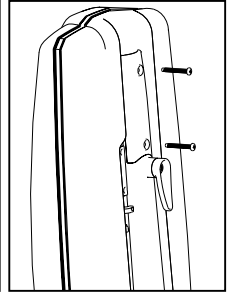


Fig. 2

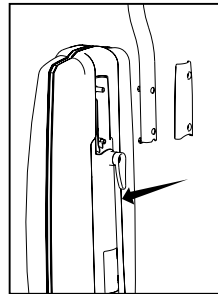


Fig. 3

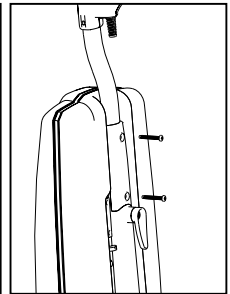


Fig. 4

ASSEMBLING THE VACUUM

Attaching the Cord Retainer to the Handle

- Pull apart the rounded end of the cord retainer to open it up enough to fit around the carry handle (Fig. 1).
- Attach the cord retainer around the carry handle.
- Create a loop in the power cord and push it through the slot and over the hook of the cord retainer.
- Pull down on the power cord to remove any slack.

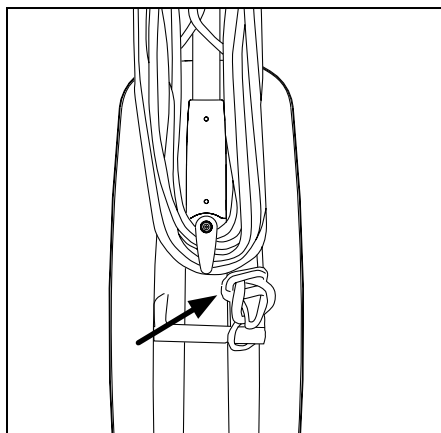


Fig. 1

Unwinding the Power Cord

- The lower cord hook rotates to allow for quick access to the power cord (Fig. 2). Turn the lower cord hook upward and you can quickly drop the power cord to the floor without unwinding it from the cord hooks.
- When storing the vacuum cleaner, turn the lower cord hook to the downward position and wind the power cord around the cord storage hooks.

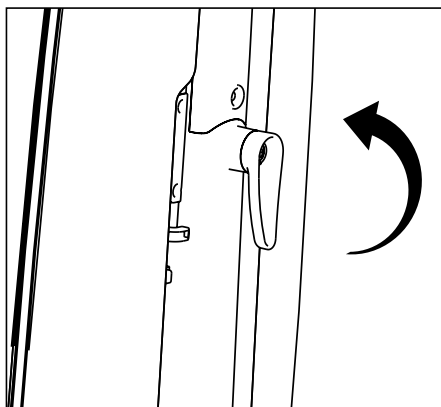


Fig. 2

OPERATION

Reclining the Handle

- Press the handle release pedal located on the back of the vacuum with your foot to recline the handle (Fig. 1).

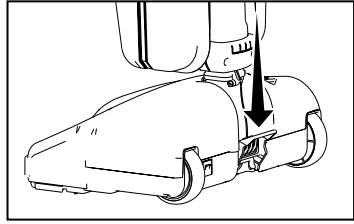


Fig. 1

On/Off Switch, Two Speed

- The power switch located on the vacuum handle, is a three-way switch (Fig. 2). The middle position is the “Off” setting, the rear position is the “On” setting and the forward position is for “Maximum Power” (Fig. 3).
- Use the “Maximum Power” setting for carpet cleaning. Use the “On” setting for cleaning bare floors and throw rugs. Always turn the vacuum cleaner to the “Off” setting before unplugging it from the electrical outlet.

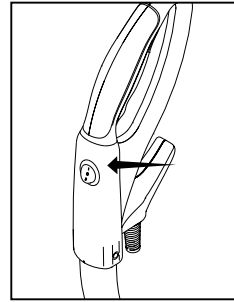


Fig. 2

Edge Cleaning

The edge cleaning feature provides improved cleaning near walls and stationary furniture. For maximum edge cleaning, place the left side of the nozzle, from the user’s perspective, against the wall or stationary furniture.

Automatic Carpet Height Adjustment

Your vacuum is designed with an automatic self-adjusting nozzle. No manual adjustments are required. The height of the nozzle automatically adjusts to the flooring surface. This self-adjusting feature allows the nozzle to float evenly over all flooring surfaces.

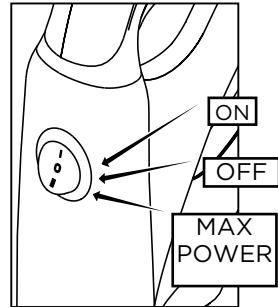


Fig. 3

Bare Floor Cleaning

Your vacuum is equipped with a squeegee on the bottom of the vacuum to improve its effectiveness in cleaning bare floors (Fig. 4). When cleaning tile, hardwood, vinyl, etc., use the “On” setting for best results.

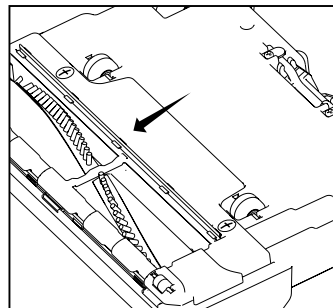


Fig. 4

Power Cord Care

- If the cord or plug has any apparent damage, refrain from using the vacuum.
- When the vacuum is in use, hold the cord to keep from running over it.
- Avoid obstructions and do not pull the cord around sharp edges or corners.
- Always keep the cord away from heated surfaces and never close doors on it as this may cause damage to the wiring.
- To unplug, always grasp the plug, not the cord.

Vacuuming Under Furniture

Your vacuum will lay flat on the floor for effective cleaning under beds and tables.

- Press the handle release pedal once for normal vacuum cleaning (Fig. 1).
- Continue to lower the handle to enable the vacuum to lay flat on the floor (Fig. 2).

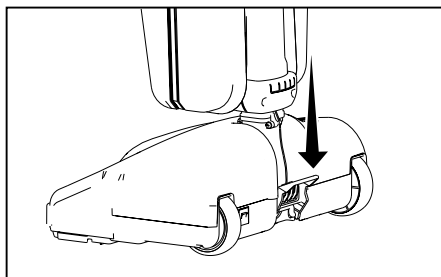


Fig. 1

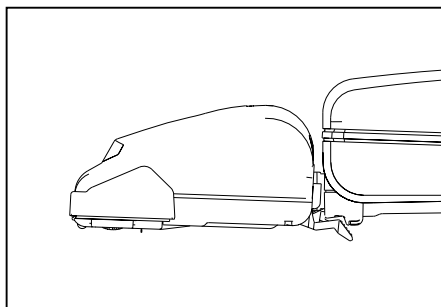


Fig. 2

MAINTENANCE AND CARE

Replacing the Vacuum Bag

NOTE: Unplug the vacuum cleaner from the electrical outlet before changing the bag.

- Unzip the bag compartment.
- Remove the used vacuum bag by pulling the green bag collar tab away from the vacuum (Fig. 1). Slide the used bag out of the bag holder which automatically seals the bag opening (Fig. 2). Discard the used bag.
- To install a new bag, slide the bottom of the green bag collar into the bag holder until it “snaps” into place (Fig. 3).
- Push the top of the bag collar upward until the collar “snaps” into place on the vacuum (Fig. 4).
- Tuck the bag corners into the bag compartment then zip the bag compartment closed.

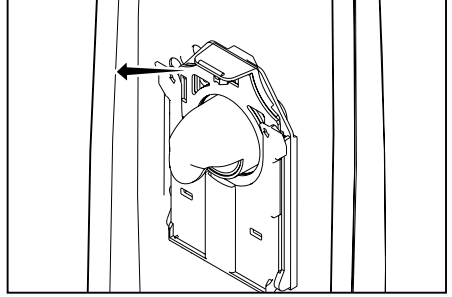


Fig. 1

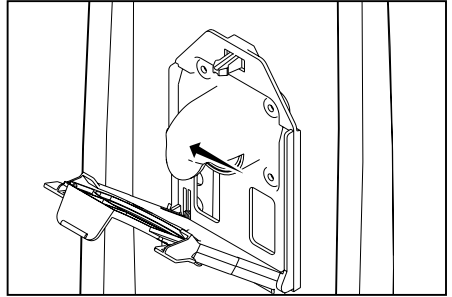


Fig. 2

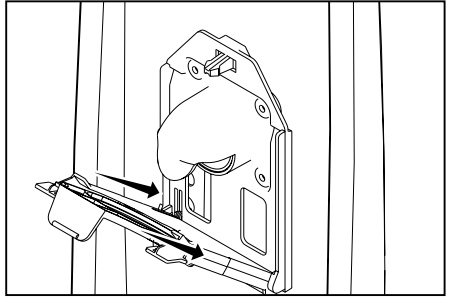


Fig. 3

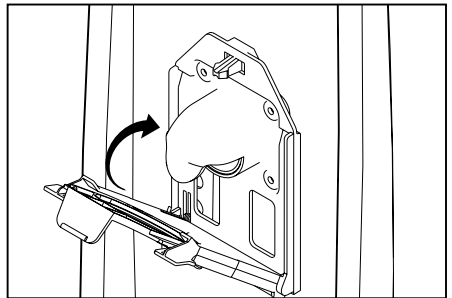


Fig. 4

Removing and Reinstalling the Bottom Plate

WARNING! To reduce the risk of electrical shock or injury from moving parts, unplug before servicing or cleaning.

To Remove the Bottom Plate:

- Press the handle release pedal to place the vacuum cleaner in the flat position.
- Turn the vacuum cleaner over, exposing the bottom plate.
- Turn the two screws a quarter turn to release the bottom plate (Fig. 1). Remove the bottom plate.
- Reinstall the bottom plate by aligning the front edge of the bottom plate into the notches inside the nozzle housing (Fig. 2).
- Press the bottom plate into position until the plate “clicks” on both sides. Tighten the two screws a quarter turn to secure the bottom plate.

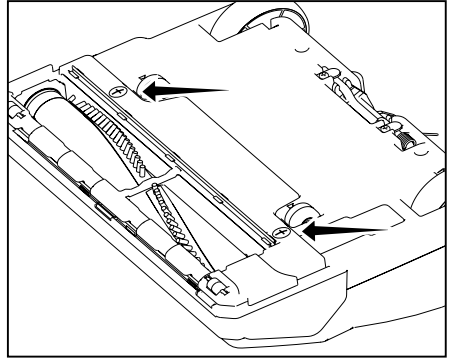


Fig. 1

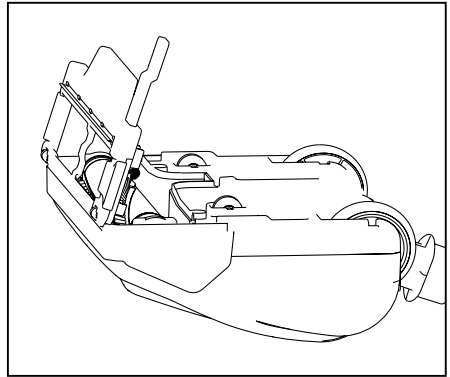


Fig. 2

MAINTENANCE AND CARE

Replacing the Agitator Belt

WARNING! To reduce the risk of electrical shock or injury from moving parts, unplug before servicing or cleaning.

NOTE: To ensure maximum cleaning efficiency, the belt should be checked regularly to be sure it is in good condition. Check to see if the belt is stretched, cracked, or if excessive slipping is occurring. Replace if needed.

- Remove the bottom plate (see page 11).
- Remove the brushroll and the worn or broken belt from the brushroll pulley and the motor drive shaft (Fig. 1).
- Loop the new belt around the motor drive shaft and the brushroll (Fig. 2).
- Reinstall the brushroll into the housing. Turn the brushroll by hand, making sure the belt is not twisted and all rotating parts move smoothly.
- Reinstall the bottom plate (see page 11).

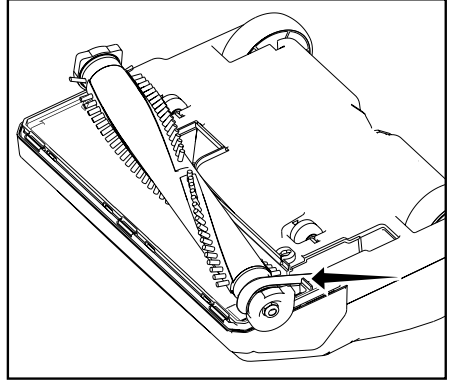


Fig. 1

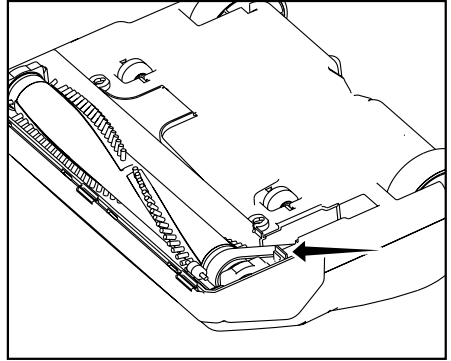
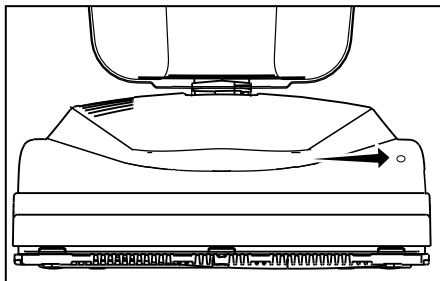


Fig. 2

Brushroll Jam Indicator

If an object, such as a throw rug or article of clothing, is ever picked up into your vacuum, the vacuum will sense this “jammed brushroll” condition and turn off the brushroll. When this happens, the Brushroll Jam Indicator light on the top of the nozzle will flash in red.

- Turn off the vacuum and remove the cause of the jam. Turn the vacuum back on.
- If the brushroll is free of obstructions and the Brushroll Jam Indicator light is still flashing, it’s likely the clogged condition is located in the vacuum motor fan.



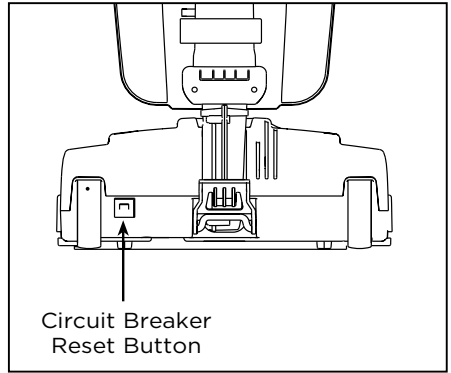
MAINTENANCE AND CARE

Resetting the Circuit Breaker

WARNING! To reduce the risk of electrical shock or injury from moving parts, unplug before servicing or cleaning.

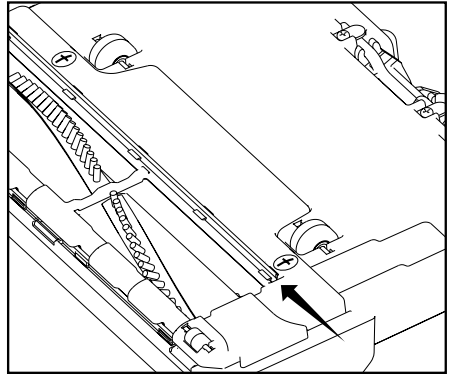
Your vacuum features a circuit breaker to protect the machine against damage due to a surge in the electrical current. Electrical surging can be a result of, though not limited to, a jammed motor fan.

Should your vacuum cleaner experience a jammed brushroll with the circuit breaker tripping, turn the vacuum off, and unplug the unit. Inspect the brushroll by removing the bottom plate (see page 11) and remove any debris that may be causing the jam. Reinstall the bottom plate (see page 11) and reset the circuit breaker by pressing the Circuit Breaker Reset Button. Plug in the power cord, and turn on the vacuum.



Replacing the Squeegee

If your squeegee splits or begins to look worn, simply slide the worn squeegee from its track and slide a new one into the track.



TROUBLESHOOTING

PROBLEM	CHECK POINT	POSSIBLE SOLUTION
Vacuum won't turn on	• Power cord not firmly plugged in	• Plug unit in firmly
	• Blown fuse or tripped breaker	• Check house fuse or breaker. Replace fuse / reset breaker
	• Needs service	• Take to an authorized service center
Vacuum won't pick up or low suction	• Vacuum bag full	• Install new bag
	• Hose clogged	• Remove obstacle
Dust escaping from vacuum	• Bag compartment cover not installed properly	• Reinsert the cover and secure latch
	• Vacuum bag not installed correctly	• Review bag installation (page 10)

Any other service should be performed by an Authorized DAVID® Vacuum Retailer. To locate your nearest Authorized Retailer, visit our website at DAVIDPRODUCTS.COM or call 281-866-0027.

Key Replacement Parts

- Genuine bags and filters are available from your authorized DAVID retailer.

For Best Performance

- Keep machine and all accessories clean and in good operating condition.
- Change vacuum bag and belts as recommended to maintain optimum cleaning efficiency.
- Always use genuine bags, filters and parts, as use of other products may result in poor cleaning or filtration performance. David filtration products are designed for maximum performance.
- Have machine checked periodically by the retailer where you purchased your DAVID vacuum.
- Store machine carefully in dry area.
- For optimum cleaning performance and safety, follow your owner's manual.

WARRANTY

DAVID Products Household Vacuum Limited Warranty

DAVID Products warrants that, from the date of purchase by the consumer who originally purchased the product (“you”) and until the expiration of the warranty period set forth for your product above, the product shall be free from defects in material and workmanship when it is used under normal household conditions and maintained according to the requirements outlined in the Owner’s Manual, subject to the conditions and exclusions set forth below.

Who may use this limited warranty?

DAVID Products extends the limited warranty set forth below only to the consumer who originally purchased the product. This limited warranty does not extend to any subsequent owner or other transferee of the product.

What is covered by this limited warranty?

1. The original product, as described above, and/or non-wearable parts deemed defective, in DAVID Products’ sole discretion, will be repaired or replaced for the duration of the warranty period. If found to be defective within the stated warranty period, the unit will be repaired at no charge to you (both parts and labor) by an authorized DAVID Products Service Center.
2. In the event a replacement product is issued, the warranty coverage continues from the date of purchase of the original product. DAVID Products reserves the right to replace the original product with one of equal or greater value.
3. Return freight and reshipment costs (ground freight only) are prepaid by DAVID Products for warranty claims that meet the eligibility requirements.
4. Designated models include a separate lifetime warranty on the belts. This applies to model ZM-700.DV only.
5. DAVID Products product warranties vary per model. Please see duration warranty above for details of the time frame of your purchase.
6. To find an authorized DAVID Products sales and service center, visit DAVIDPRODUCTS.COM

How to get service and initiate a warranty claim

We encourage you to register your product online at DAVIDPRODUCTS.COM.

If your product fails to operate properly while in use under normal household conditions within the warranty period, visit DAVIDPRODUCTS.COM to assist with product support and warranty service options. So we may better assist you, please register your product online.

To find an authorized DAVID Products sales and service center, visit our retailer locator at DAVIDPRODUCTS.COM.

Owner’s Warranty Information (keep this for your records.)

Store name _____

Store Address _____ City _____ State _____ Zip _____

Telephone _____ Date of purchase _____

Serial number _____ Model number _____

What is not covered by this limited warranty?

1. Normal wear and tear of wearable parts (such as foam filters, HEPA filters, belts, brush strips etc.), which require regular maintenance and/or replacement to ensure the proper functioning of your product, are not covered by this limited warranty. Replacement parts are available for purchase from your local retailer or at DAVIDPRODUCTS.COM.
2. Any product that has been tampered with or used for commercial purposes.
3. Damage caused by misuse (e.g., vacuuming up water or other liquids), abuse, negligent handling, failure to perform required maintenance (e.g., not cleaning the filters or changing the bags), or damage due to mishandling in transit.
4. Consequential and incidental damages.
5. Defects caused by repair persons not authorized by DAVID Products. These defects include damages caused in the process of shipping, altering, or repairing your DAVID Products product (or any of its parts) when the repair is performed by a repair person not authorized by DAVID Products.
6. Products purchased, used, or operated outside the USA and Canada.
7. Products that are second-hand, or products outside of the warranty period.
8. Products that have not been assembled, used, or maintained in accordance with the operating instructions.
9. Defects or damage caused by the use of non-genuine DAVID Products parts, including but not limited to bags, belts, filters and spare parts, or machines that have unauthorized modifications.
10. Products in which filters have been washed and/or bags have been reused
11. Typical wear and tear, accident, other casualty, misuse, neglect, improper use or maintenance, or any product in which the serial number has been altered or removed.
12. Normal maintenance, such as the removal of clogs or cleaning brush rollers.

**Exclusions and limitations of this limited warranty and your potential rights under State law.

TO THE EXTENT NOT PROHIBITED BY APPLICABLE LAW, THIS LIMITED WARRANTY IS EXCLUSIVE AND IN LIEU OF ANY AND ALL OTHER WARRANTIES WHETHER WRITTEN, ORAL, STATUTORY, EXPRESS OR IMPLIED, (INCLUDING, WITHOUT LIMITATION, ANY WARRANTY OF MERCHANTABILITY OR FITNESS FOR A PARTICULAR PURPOSE). THIS LIMITED WARRANTY DISCLAIMS LIABILITY FOR INCIDENTAL OR CONSEQUENTIAL DAMAGES.

THIS LIMITED WARRANTY GIVES YOU SPECIFIC LEGAL RIGHTS, AND YOU MAY ALSO HAVE OTHER RIGHTS WHICH VARY FROM STATE TO STATE. SOME STATES DO NOT ALLOW DISCLAIMERS OF IMPLIED WARRANTIES, SO THE FOREGOING DISCLAIMER MAY NOT APPLY TO YOU. FURTHERMORE, SOME STATES DO NOT ALLOW LIMITATIONS ON HOW LONG AN IMPLIED WARRANTY LASTS, SO THE ABOVE LIMITATION MAY NOT APPLY TO YOU. TO THE EXTENT SUCH WARRANTIES CANNOT BE DISCLAIMED OR LIMITED IN DURATION UNDER THE LAWS OF YOUR JURISDICTION, WE LIMIT THE DURATION AND REMEDIES OF SUCH WARRANTIES TO THE DURATION OF THIS EXPRESS LIMITED WARRANTY, AS STATED ABOVE FOR YOUR PARTICULAR PRODUCT.

Register your warranty online at DAVIDPRODUCTS.COM

NOTES

DAVID[®]
COMMERCIAL

DAVIDPRODUCTS.COM

B503-2851 04/2022